

## PRODUCTS

### INDUSTRIAL BOILERS

- SMART PAC
- STEAM PAC
- COMPAC
- MULTIPAC

### THERMIC FLUID HEATERS

- MULTI FUEL
- AFBC
- OIL / GAS

## SPARES

- SPARES FOR BOILERS
- STRUCTURES
- BOILER SERVICE
- ANNUAL SERVICE CONTRACT
- O & M SERVICE
- POLLUTION CONTROL
- EQUIPMENT
- CYCLONES
- WET SCRUBBER
- BAG FILTER

## VALVES AND MOUNTING



**LONG LIFE BOILERS  
MFG. CO.**

+91 9814433683, 9888067975, 8847573825

longlifeboilers@gmail.com

Jalandhar - 144004, Punjab, India

Follow us on

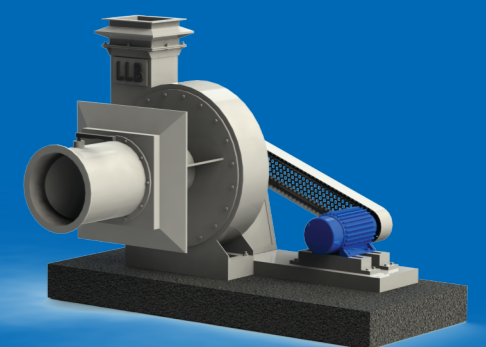


**LONG LIFE BOILERS  
MFG. CO.**



**SPARES  
AND  
SERVICES**

[www.longlifeboilers.com](http://www.longlifeboilers.com)





# ABOUT US

"Long Life Boilers Mfg. Co." was established in 1982, and has a market experience of the years together in designing, manufacturing, marketing, supplying after sales services and enhancement of efficiency in existing heating system. Our Product range primarily includes steam boilers, thermic fluid heaters, hot air generators and full range of custom engineered equipments. Currently we have a supplied no. of units which are running to entire satisfaction of our valued customers.



Boiler Fire Door



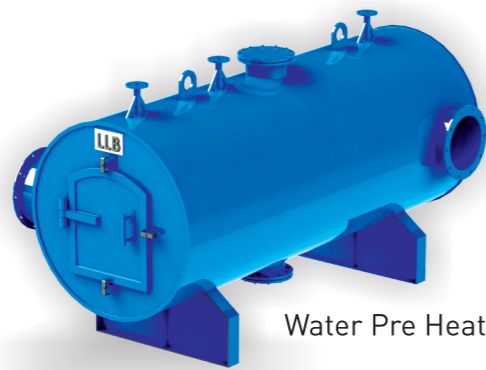
Air Pre Heater



Dust Collector



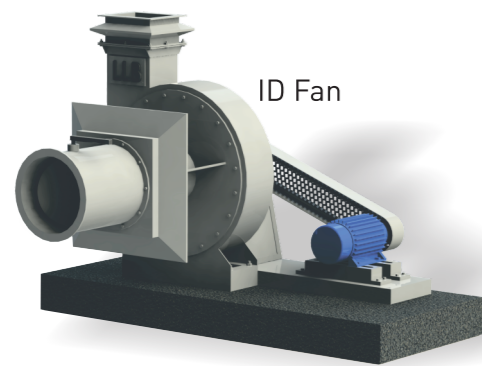
Chimney



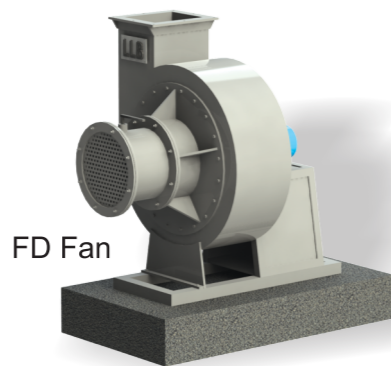
Water Pre Heater



Vertical Feed Pump



ID Fan



FD Fan



Condensate Recovery Pump



Hot water generator



Pressure reducing station



Wet scrubber



Multi cyclone



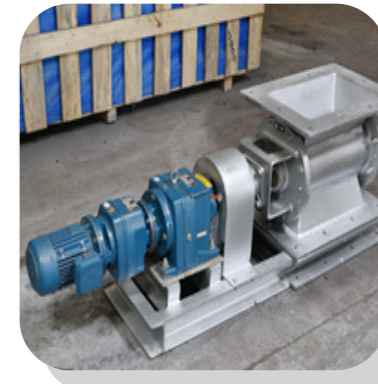
Electrical panel



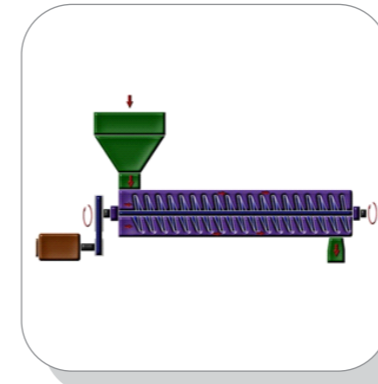
Fludized Bed



Steam Header



Rotary Air Lock Valve



Screw feeder

